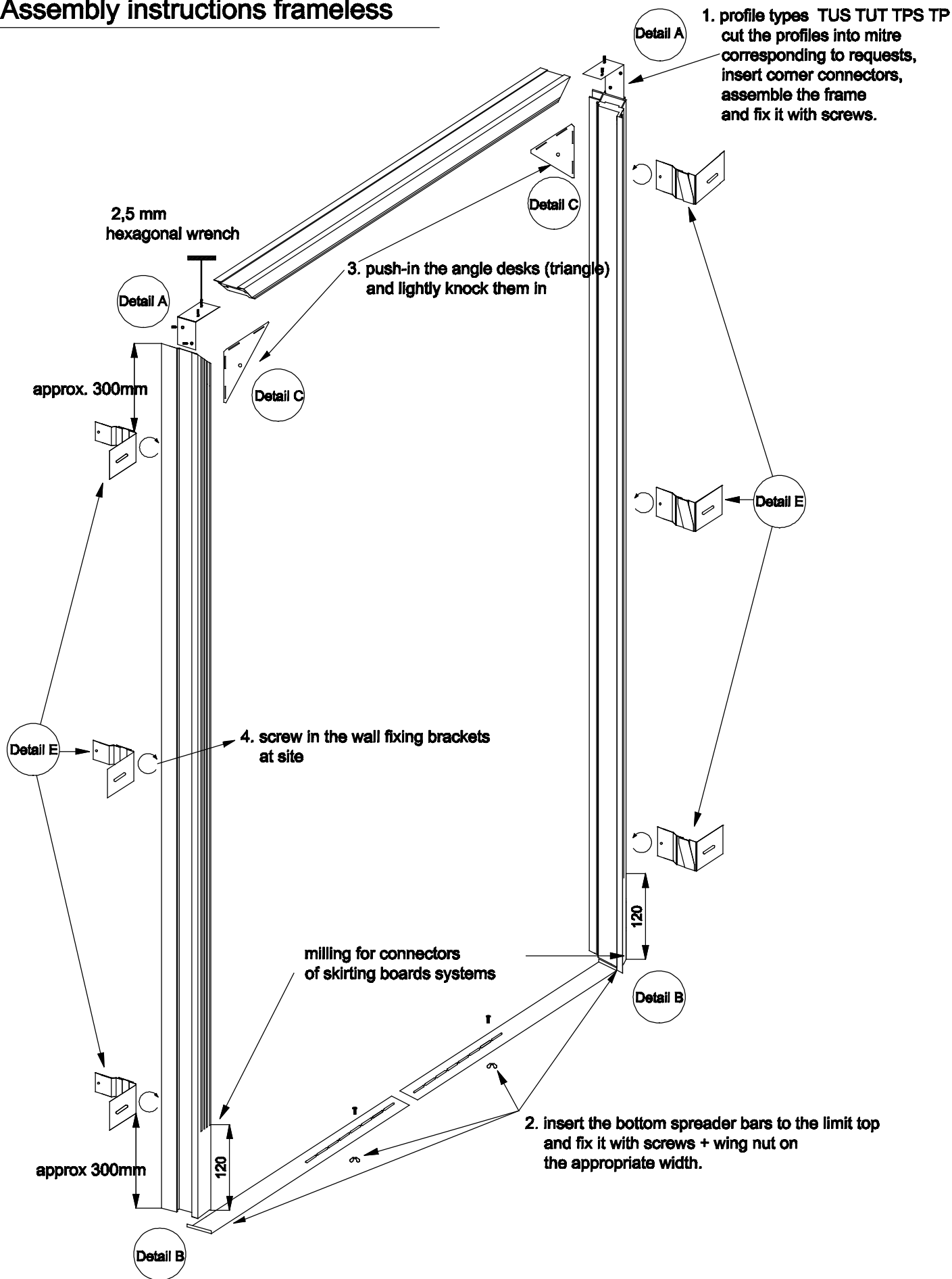


Assembly instructions frameless

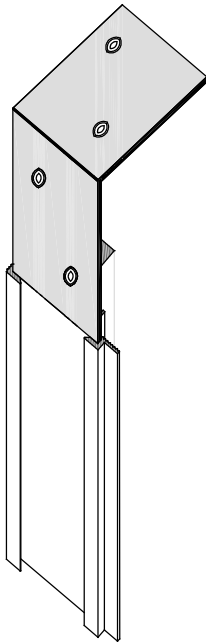
Type TCS, TCT, TUS, TCT, TP, TPS, TST

Assembly instructions frameless



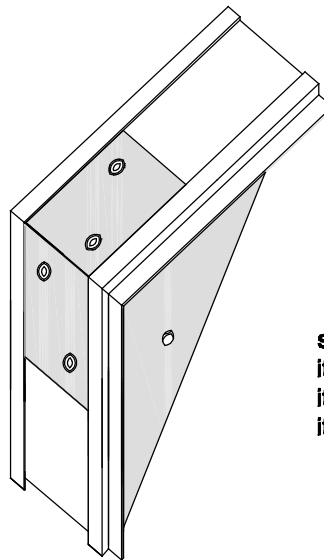
Details

A - B - C



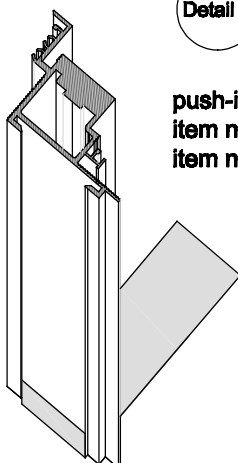
Detail A

insert corner connectors
item no. 13011 TCS TCT TUS TUT TPS
item no. 13054 TST
item no. 13014 TP



Detail C

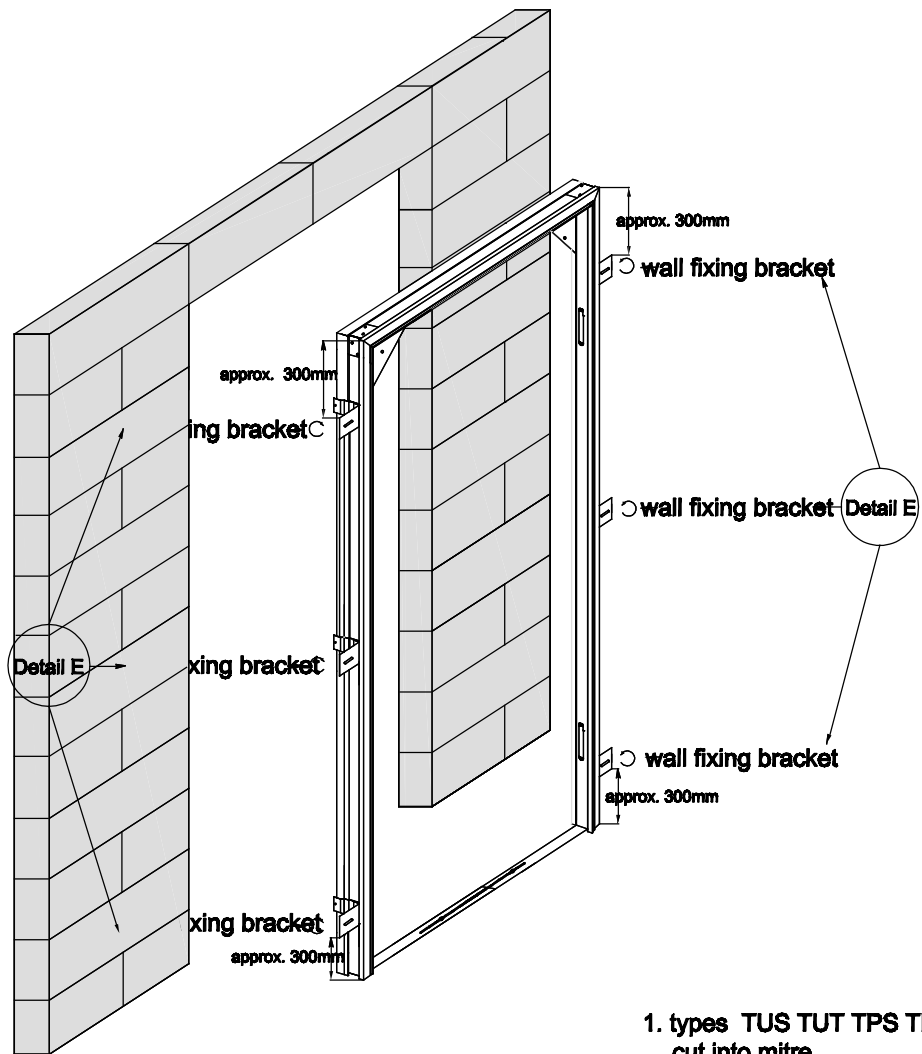
snap-in the angle disks (triangle)
item no. 13011 TCS TCT TUS TUT TPS
item no. 13054 TST
item no. 13014 TP



Detail B

push-in the bottom spreader bar
item no. 13011 TCS TCT TUS TUT TPS TP
item no. 13053 TST

Installation aluminium frame

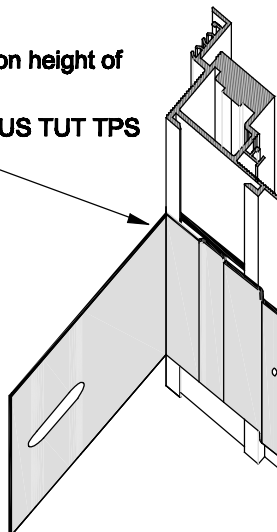


1. types TUS TUT TPS TP
cut into mitre
corresponding to request,
insert set connectors,
assemble frame
and fix it with screws.

Detail E

1. screw-in wall fixing brackets on height of
a stable fixation

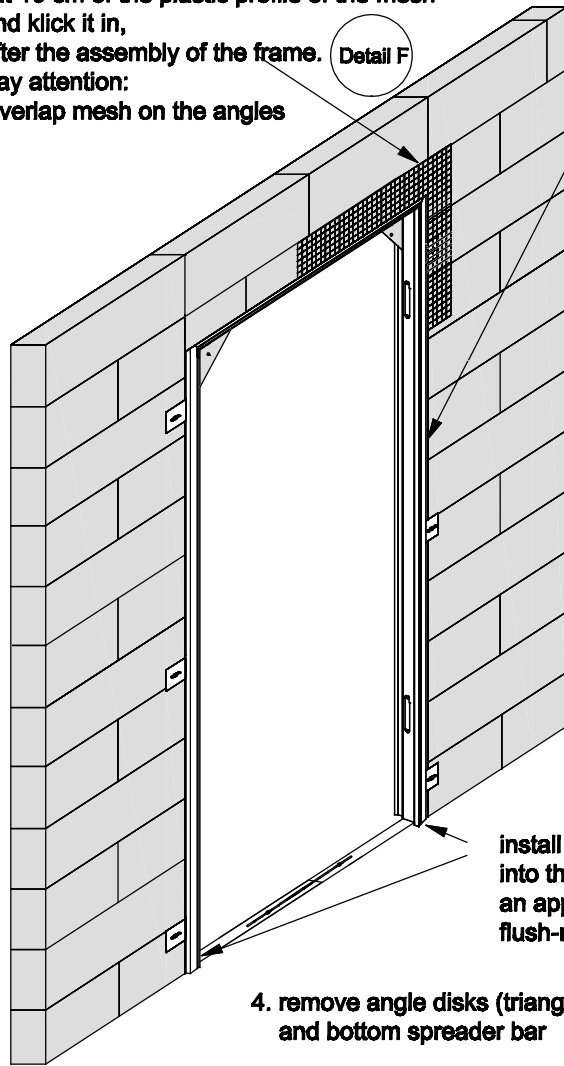
item no. 13010 TCS TCT TUS TUT TPS
item no. 13052 TST



3. cut 10 cm of the plastic profile of the mesh and click it in, after the assembly of the frame. **Detail F**
 Pay attention:
 Overlap mesh on the angles

2. insert frame in the wall opening, adjust it horizontally and vertically, fix it and foam it behind.

1. types TUS TUT TPS TP cut into mitre corresponding to request, screw-in corner connectors, assemble the door frame and fix it with screws.

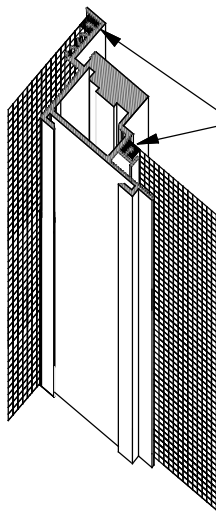


install the frame max. 50mm into the bottom, in order to guarantee an appropriate connection of a flush-mounted skirting board system.

4. remove angle disks (triangle) and bottom spreader bar

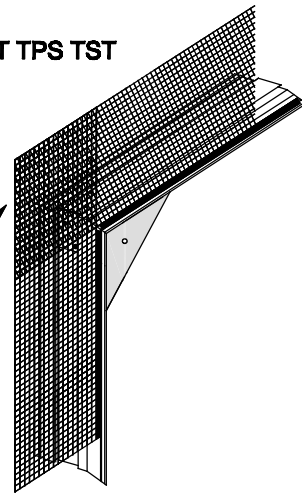
Detail F

item no. 13042
 TCS TCT TUS TUT TPS TST



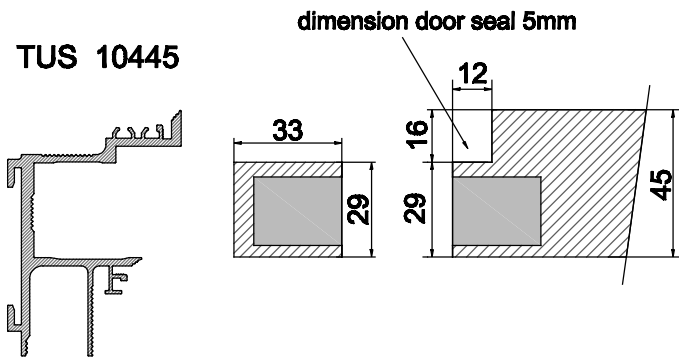
click in the mesh after assembly of the frame

overlap

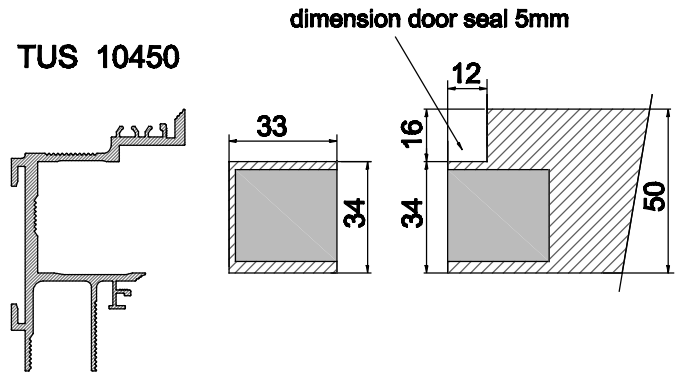


Timber insert

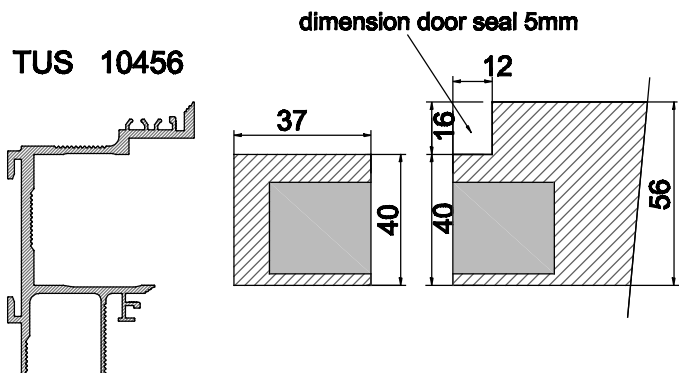
TUS 10445



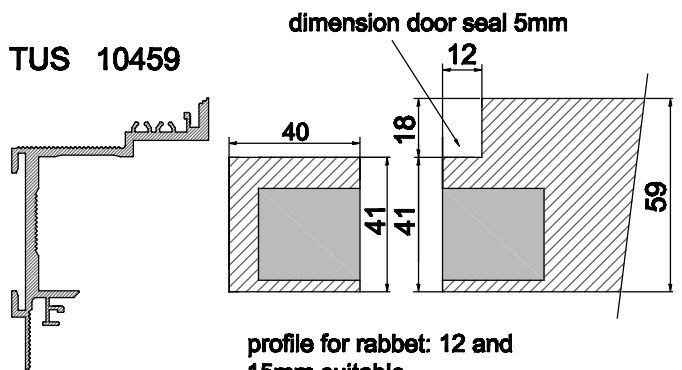
TUS 10450



TUS 10456

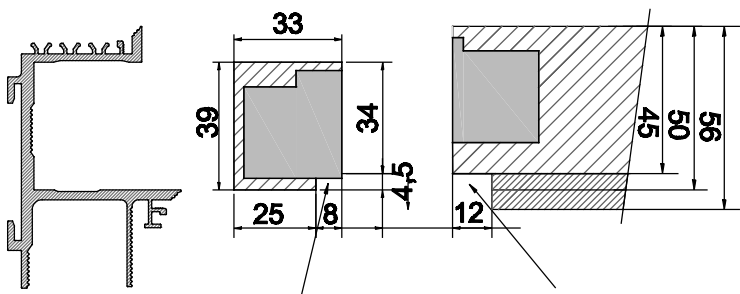


TUS 10459



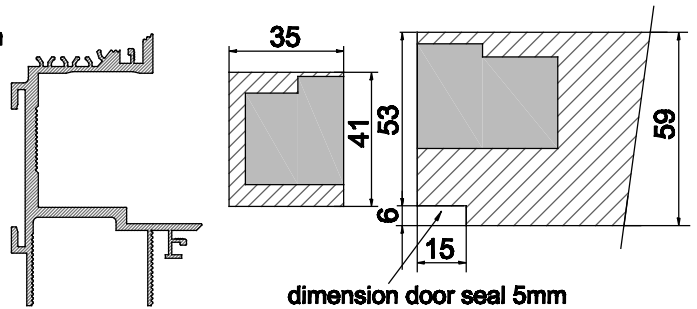
profile for rabbet: 12 and 15mm suitable

TUT 10345



rabbet timber insert
9 X 4,5mm

TUT 10359



dimension door seal 5mm

Installation timber insert

